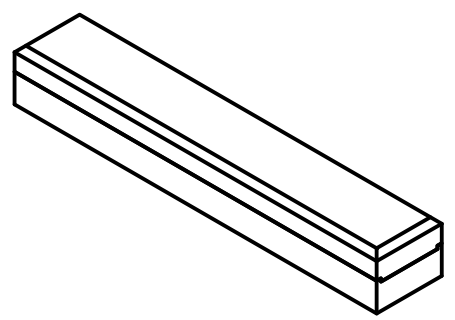
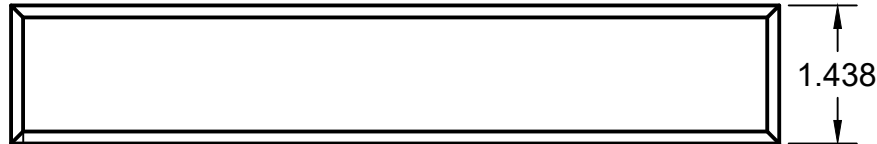
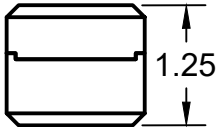
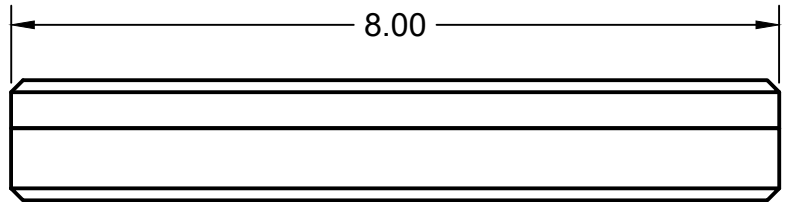


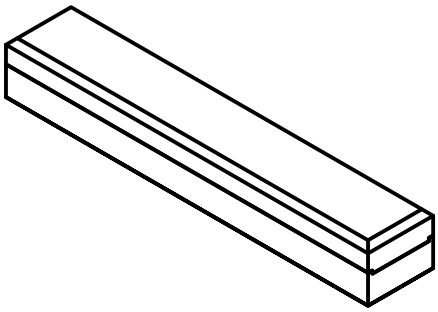
PARTS LIST			
ITEM	QTY	PART NUMBER	MATERIAL
1	1	DICE VAULT BOTTOM	WOOD
2	1	DICE VAULT TOP	WOOD
3	2	001-03-030 TOP MAGNETS	NEODYMIUM
4	2	001-03-031 BOTTOM MAGNETS	NEODYMIUM
5	4	001-03-002 MAGNET SCREWS	ZINC PLATED STEEL
6	2	004-01-4002 DICE VAULT FOAM	POLYURETHANE FOAM



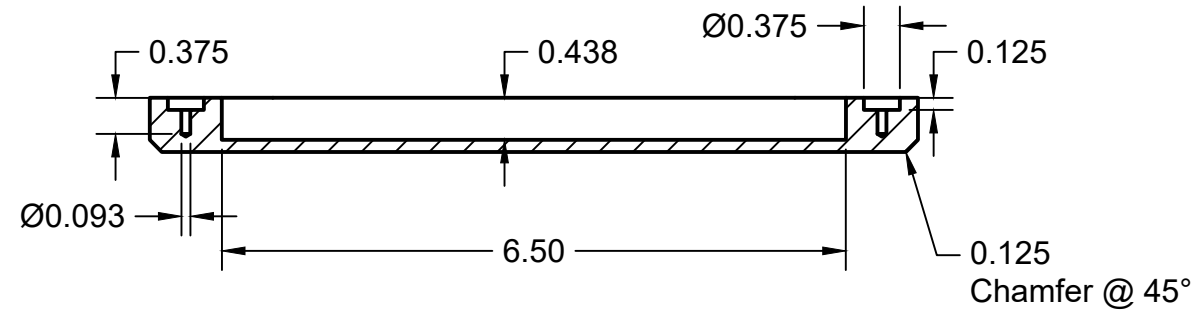
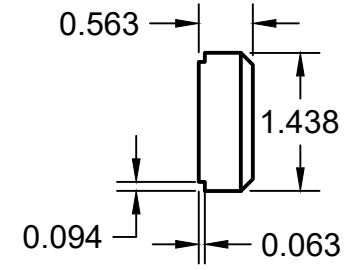
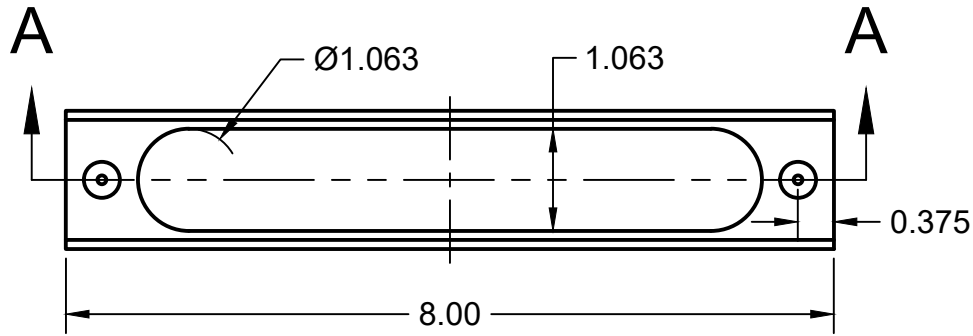
	PROJECT		
	Wyrwood Catalog Products		
	TITLE		
	008-10-000 Dice Vault PARAGON Assembled Dice Vault		
APPROVED Jason MacDonald 5/6/2020	SIZE	CODE	DWG NO
CHECKED	A		008-10-000
DRAWN Adam Vinton 4/29/2020	SCALE 1:3	WEIGHT	SHEET 1/5
			REV



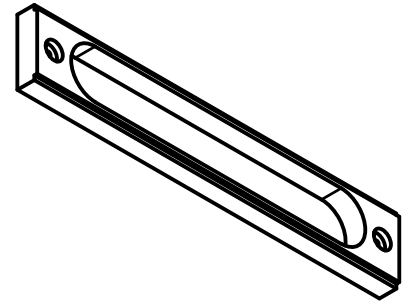
0.125
Chamfer @ 45°



Dimensions in inches Unless otherwise noted Tolerances: Unless otherwise noted x.xx ± 0.010 x.xxx ± 0.005	PROJECT			
	Wyrwood Catalog Products			
APPROVED Jason MacDonald 5/6/2020 CHECKED DRAWN Adam Vinton 4/29/2020	TITLE			
	008-10-000 Dice Vault PARAGON Assembled Dice Vault			
	SIZE	CODE	DWG NO	REV
	A	008-10-000		
	SCALE 1:2	WEIGHT	SHEET 2/5	



SECTION A-A



Dimensions in inches
Unless otherwise noted

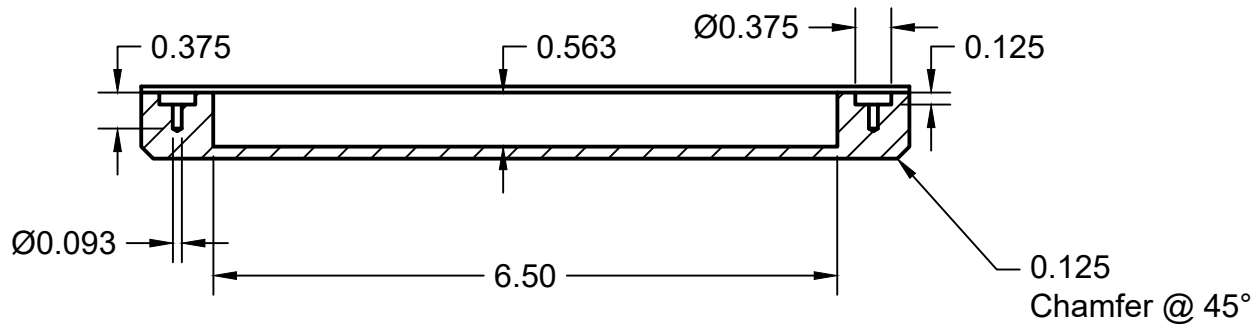
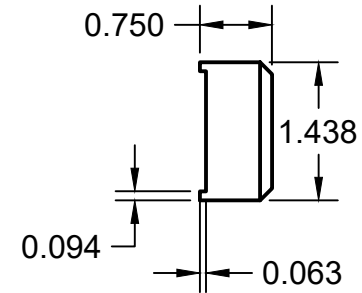
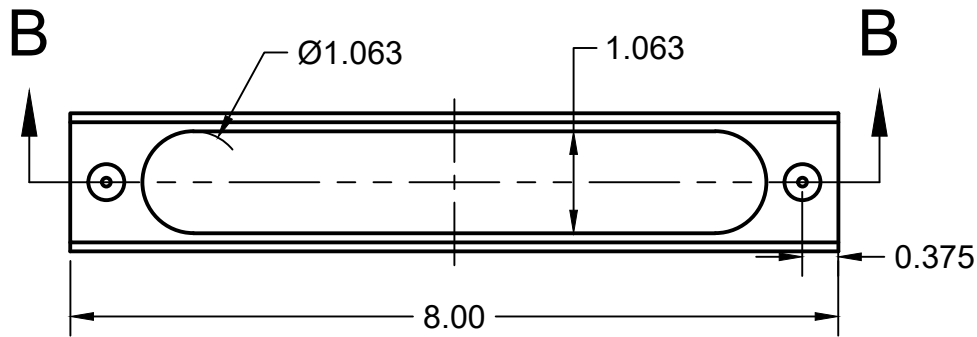
Tolerances:
Unless otherwise noted
x.xx ± 0.010
x.xxx ± 0.005

APPROVED Jason MacDonald 5/6/2020

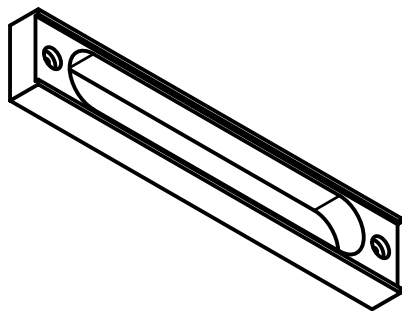
CHECKED

DRAWN Adam Vinton 4/29/2020

PROJECT Wyrwood Catalog Products			
TITLE 008-10-000 Dice Vault PARAGON Dice Vault Top			
SIZE A	CODE	DWG NO 008-01-000	REV
SCALE 1:2		WEIGHT	SHEET 3/5



SECTION B-B



Dimensions in inches
Unless otherwise noted

Tolerances:
Unless otherwise noted
x.xx ± 0.010
x.xxx ± 0.005

PROJECT

Wyrwood Catalog Products

TITLE

**008-10-000 Dice Vault PARAGON
Dice Vault Bottom**

APPROVED Jason MacDonald 5/6/2020

CHECKED

DRAWN Adam Vinton 4/29/2020

SIZE

A

CODE

DWG NO

008-10-000

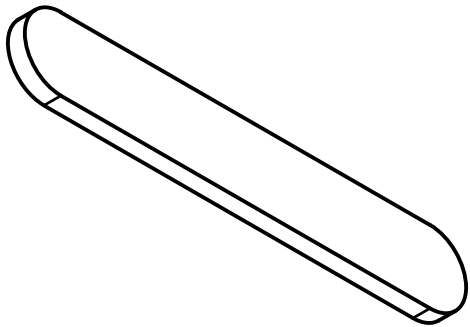
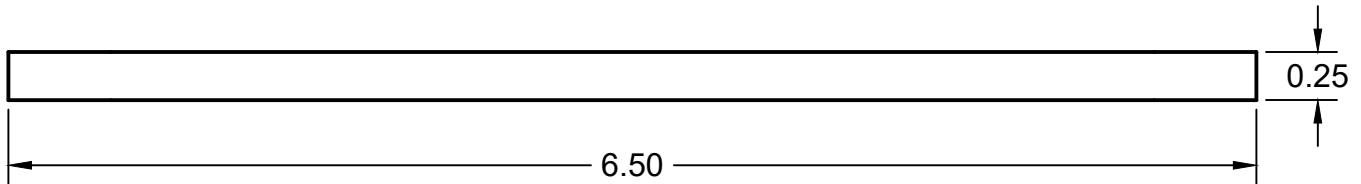
REV

SCALE 1:2

WEIGHT

SHEET 4/5

Ø1.063



Dimensions in inches
Unless otherwise noted

Tolerances:
Unless otherwise noted
x.xx ± 0.010
x.xxx ± 0.005

PROJECT

Wyrwood Catalog Products

TITLE

008-10-000 Dice Vault PARAGON
004-01-4002 Dice Vault Foam

APPROVED Jason MacDonald 5/6/2020

CHECKED

DRAWN Adam Vinton 4/29/2020

SIZE

A

CODE

DWG NO

004-01-4002

REV

SCALE 1:1

WEIGHT

SHEET 5/5