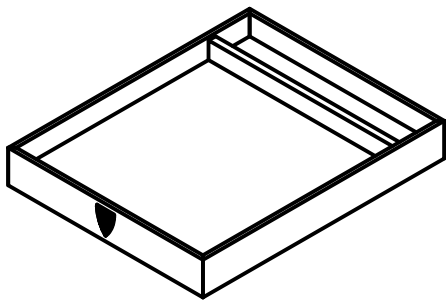
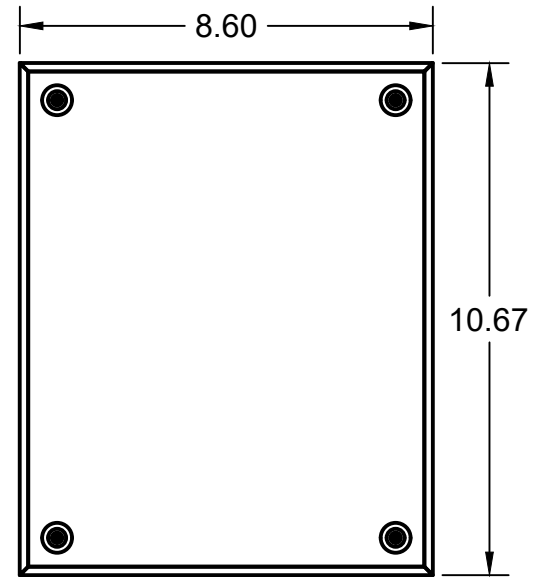
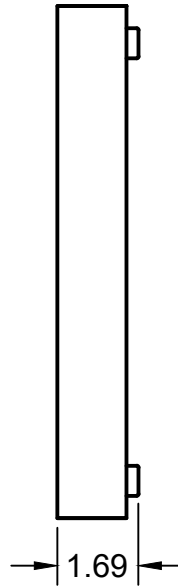
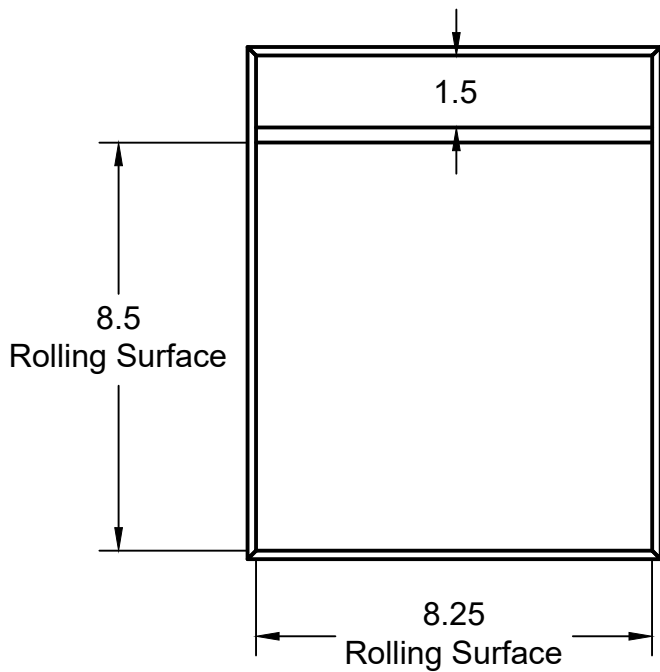
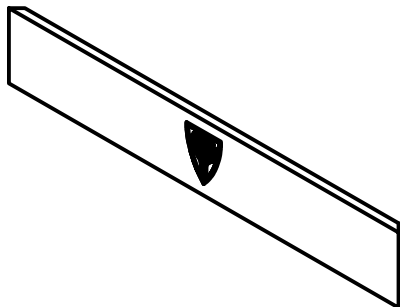
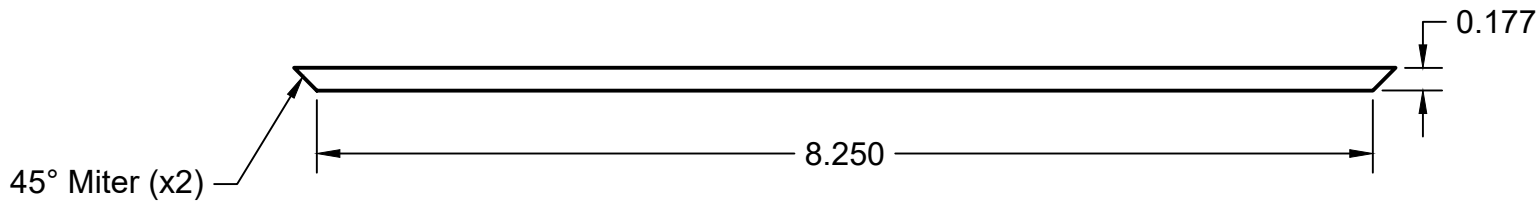
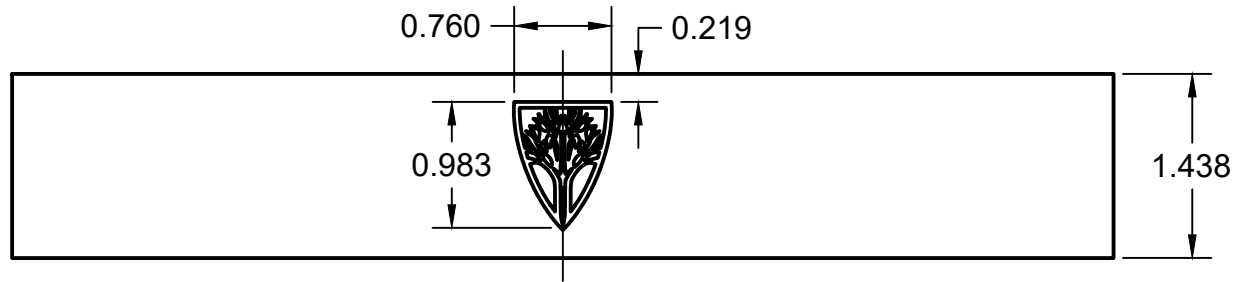


PARTS LIST			
ITEM	QTY	PART NUMBER	MATERIAL
1	1	PLYWOOD BOTTOM	BIRCH PLYWOOD
2	1	SHORT SLAT (SHIELD BRAND)	HARDWOOD
3	1	SHORT SLAT 2	HARDWOOD
4	2	LONG SLAT	HARDWOOD
5	1	LEATHER ROLLING SURFACE	OILED LEATHER
6	4	001-03-028 FEET SCREWS	ZINC PLATED STEED
7	4	001-03-027 RUBBER FEET	RUBBER
8	1	TRAY DIVIDER	HARDWOOD

	PROJECT		
	<b>Wyrwood Catalog Products</b>		
	TITLE		
	<b>008-15-000 Tabletop Tray PARAGON Assembled Tabletop Tray</b>		
APPROVED Jason MacDonald 5/7/2020	SIZE	CODE	DWG NO
CHECKED	A		008-15-000
DRAWN Adam Vinton 4/30/2020	SCALE 1:5	WEIGHT	SHEET 1/7



Dimensions in inches Unless otherwise noted  Tolerances: Unless otherwise noted x.xx ± 0.010 x.xxx ± 0.005		PROJECT		
		<b>Wyrwood Catalog Products</b>		
APPROVED Jason MacDonald 5/7/2020 CHECKED DRAWN Adam Vinton 4/30/2020		TITLE		
		<b>008-15-000 Tabletop Tray PARAGon          Assembled Tabletop Tray</b>		
		SIZE	CODE	DWG NO
		A	008-15-000	
		SCALE 1:4	WEIGHT	SHEET 2/7



Dimensions in inches  
Unless otherwise noted

Tolerances:  
Unless otherwise noted  
x.xx ± 0.010  
x.xxx ± 0.005

PROJECT

**Wyrwood Catalog Products**

TITLE

**008-15-000 Tabletop PARAGON  
Tabletop Tray Short Slat (w/ Shield Brand)**

APPROVED Jason MacDonald 5/7/2020

CHECKED

DRAWN Adam Vinton 4/30/2020

SIZE

A

CODE

DWG NO

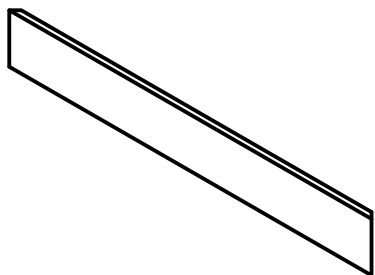
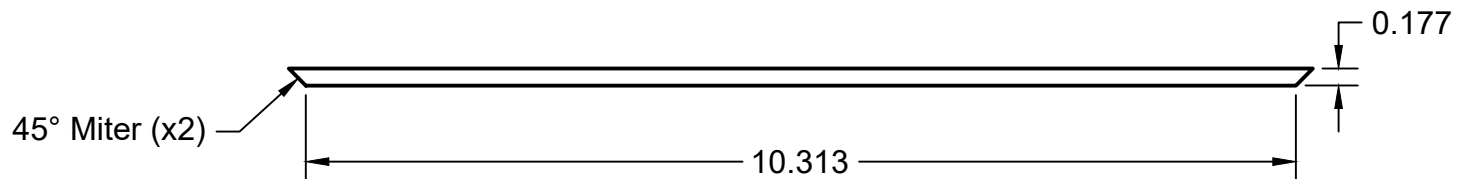
008-15-000

REV

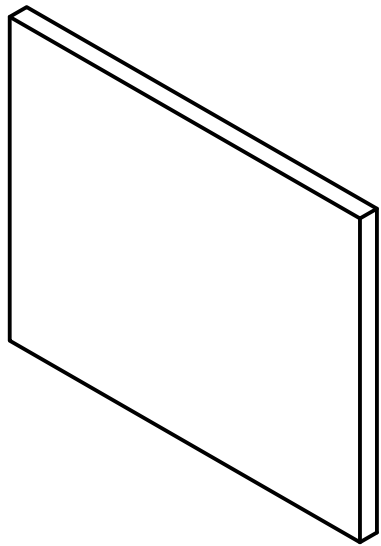
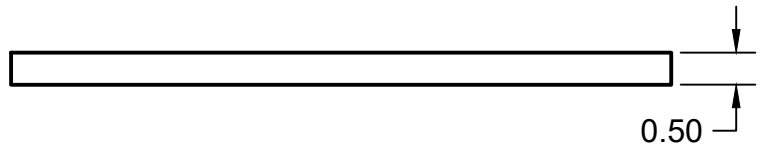
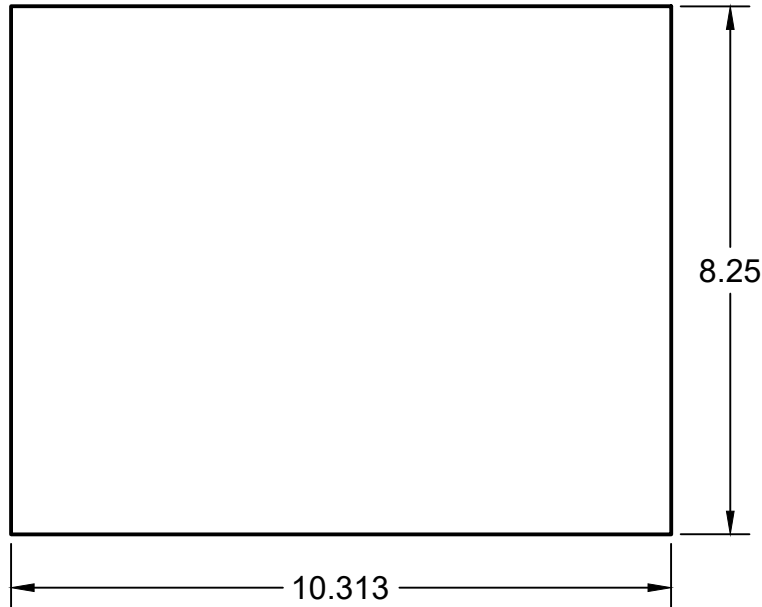
SCALE 1:1.5

WEIGHT

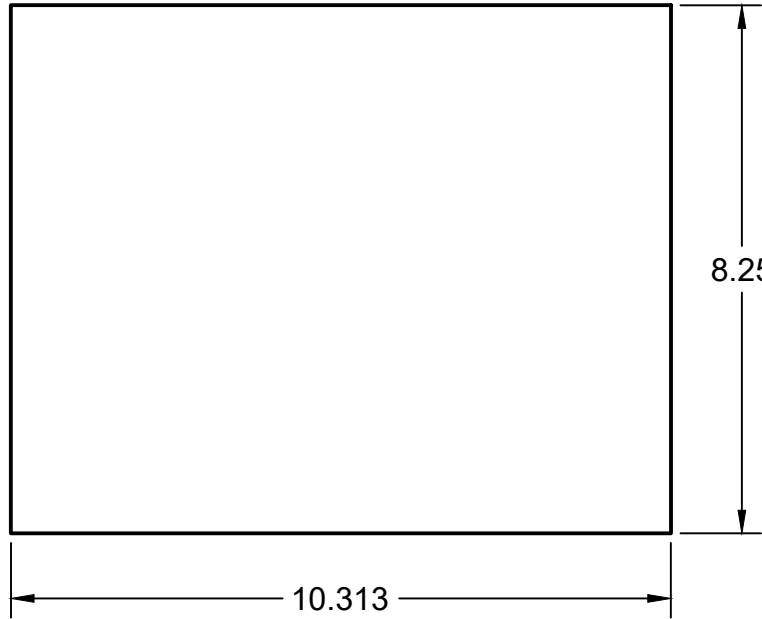
SHEET 3/7



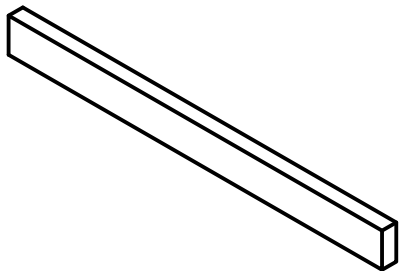
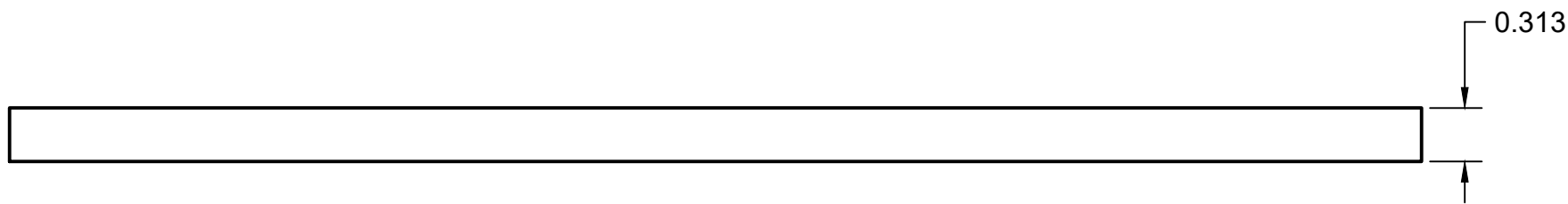
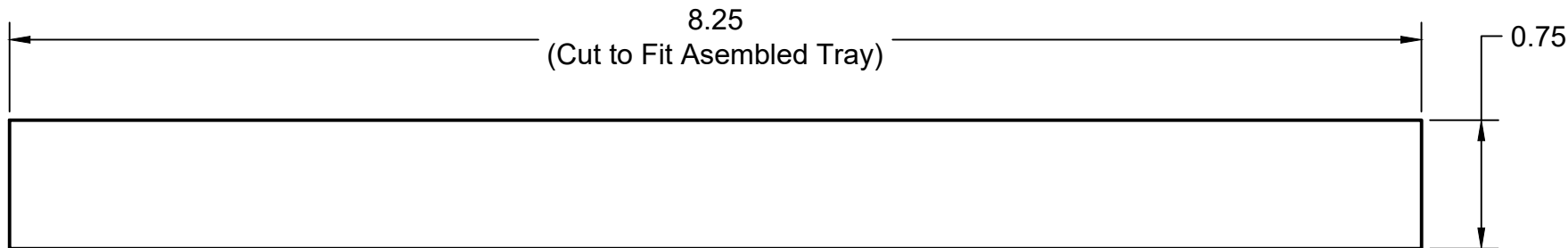
Dimensions in inches Unless otherwise noted  Tolerances: Unless otherwise noted x.xx ± 0.010 x.xxx ± 0.005	PROJECT			REV
	<b>Wyrwood Catalog Products</b>			
APPROVED Jason MacDonald 5/7/2020 CHECKED DRAWN Adam Vinton 4/30/2020	TITLE			SHEET 4/7
	<b>008-15-000 Tabletop Tray PARAGON          Tabletop Tray Long Slat</b>			
	SIZE	CODE	DWG NO	
A		008-15-000		
SCALE 1:2	WEIGHT			



<p>Dimensions in inches Unless otherwise noted</p> <p>Tolerances: Unless otherwise noted x.xx ± 0.010 x.xxx ± 0.005</p>	PROJECT			
	<p><b>Wyrwood Catalog Products</b></p>			
<p>APPROVED Jason MacDonald 5/7/2020</p> <p>CHECKED</p> <p>DRAWN Adam Vinton 4/30/2020</p>	TITLE			
	<p><b>008-15-000 Tabletop Tray PARAGON</b></p> <p><b>007-01-008 Tabletop Tray Plywood Bottom</b></p>			
	SIZE	CODE	DWG NO	REV
	A	008-15-000 (007-01-008)		
	SCALE 1:3	WEIGHT	SHEET 5/7	



Dimensions in inches Unless otherwise noted  Tolerances: Unless otherwise noted x.xx ± 0.010 x.xxx ± 0.005	PROJECT			
	<b>Wyrwood Catalog Products</b>			
APPROVED Jason MacDonald 5/7/2020 CHECKED DRAWN Adam Vinton 4/30/2020	TITLE			
	<b>008-15-000 Tabletop Tray PARAGON</b> <b>001-03-004 Tabletop Tray Leather Liner</b>			
	SIZE	CODE	DWG NO	REV
	A	008-15-000 (001-03-004)		
	SCALE 1:3	WEIGHT	SHEET 6/7	



Dimensions in inches Unless otherwise noted  Tolerances: Unless otherwise noted x.xx ± 0.010 x.xxx ± 0.005	PROJECT			REV
	<b>Wyrwood Catalog Products</b>			
APPROVED Jason MacDonald 5/7/2020 CHECKED DRAWN Adam Vinton 4/30/2020	TITLE			SHEET 7/7
	<b>008-15-000 Tabletop Tray PARAGON</b> <b>007-01-010 Tabletop Tray Divider</b>			
	SIZE	CODE	DWG NO	
	A	008-15-000 (007-01-010)		
	SCALE 1:1	WEIGHT		